

ZODIAC EQUIPMENT

POTABLE WATER CART
PWC 500

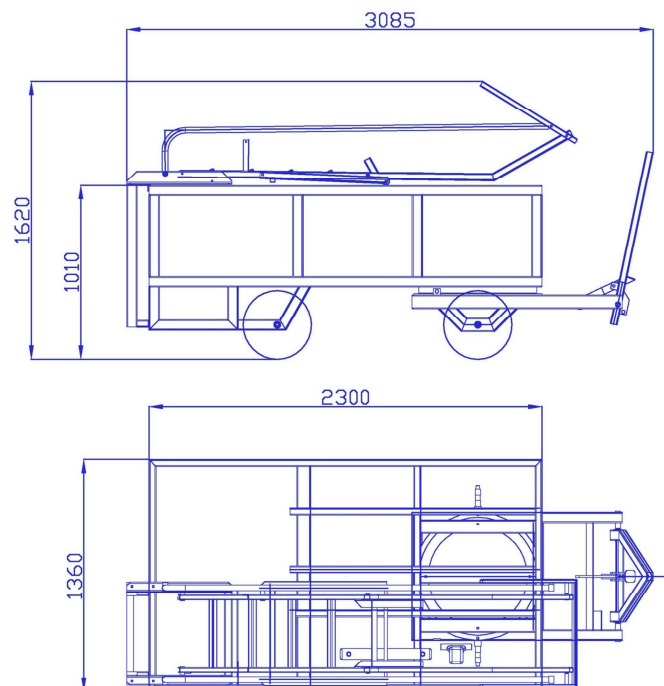
Cart is designed for servicing drinking water systems of aircraft. A frame is made of galvanised and painted steel hollow sections. It is covered with a galvanised and painted sheet. Tank is made out of stainless steel with stainless steel fittings. Water system consists of petrol or diesel engine powered pump and hoses with couplings.

- Potable water with 3/4 inch coupler
- Emergency hand pump
- Heating system 230 V AC including cable
- Full thermoinsulation



| Potable water tank (litres) | Pump capacity (litres/min) | Weight (kg) | Max. towing speed (km/h) |
|-----------------------------|----------------------------|-------------|--------------------------|
| 500 | 50 | 950 | 25 |

Tanks quantity and their volume can be modified according to customer requirements



This product meets the EN 12312-12 standard

ZODIAC EQUIPMENT

POTABLE WATER CART
PWC 500

The front axle is equipped with a parking brake activated by lifting and securing the drawbar into upright position.



The top wall is covered with a dural sheet with slip-resistant treatment.

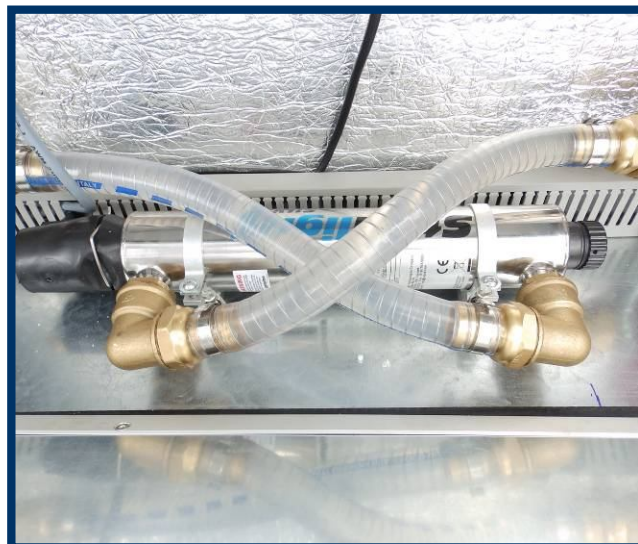
Stainless tubing, fittings and hoses with couplers.



Fixed rear axle forms part of structure. Front axle is steerable on turntable.

Optional equipment

- Diesel or petrol engine
- Battery charger
- Temperature measurement
- Ladder
- Independent Webasto heating system
- UV disinfection system





Optional versions

All dimensions can be changed on customer demand.

Superstructure for selectable truck chassis.



Transport arrangement

All carts are designed so that they can be transported by standard trailers and containers

