

ZODIAC EQUIPMENT

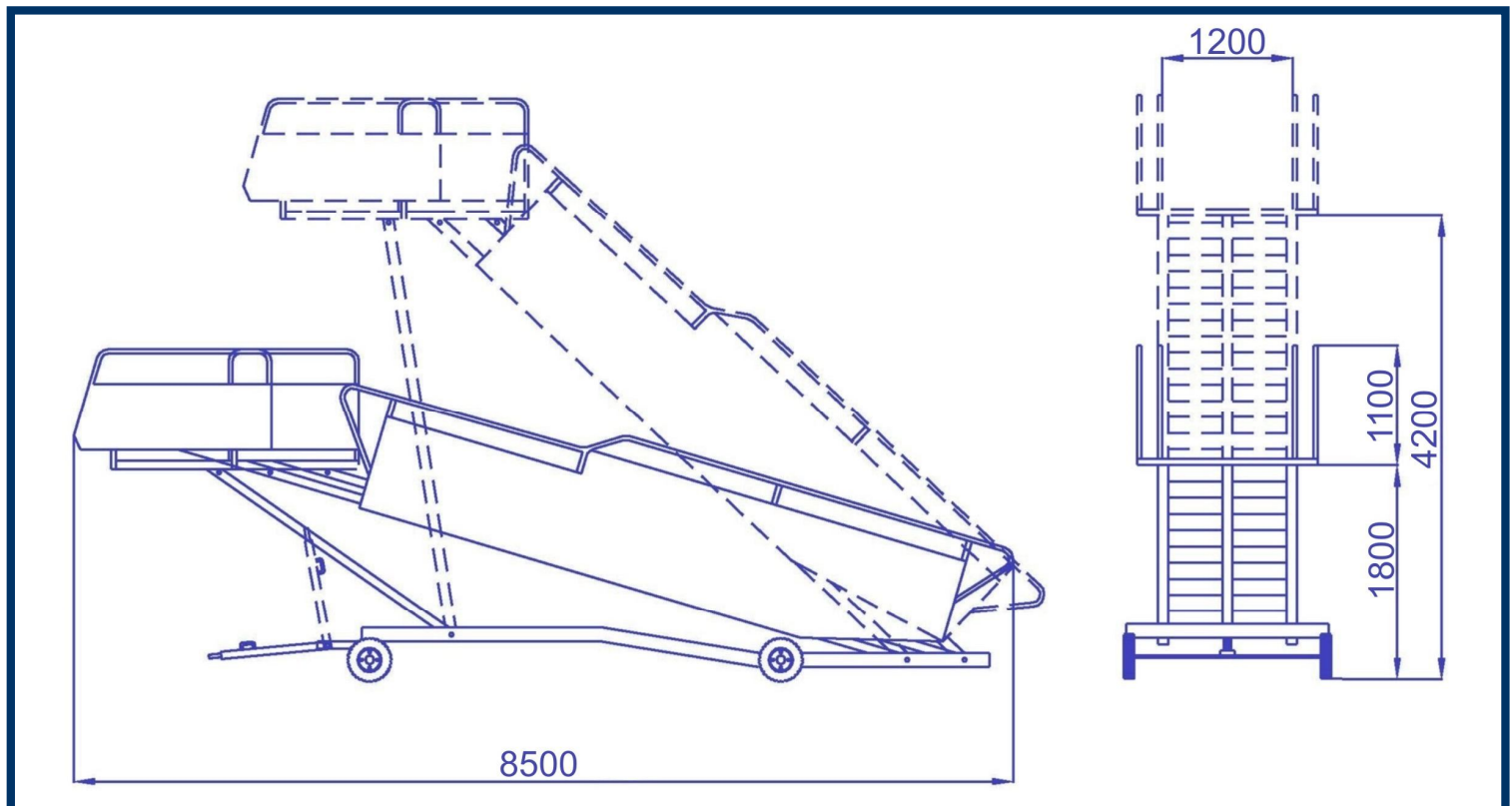
ADJUSTABLE PASSENGER STAIRS
CDS 2442

Stairs are suitable for servicing all aircrafts with door sill heights from 1,8 - 4,2 m.

- Welded construction composed of heavy duty metal parts.
- Handrails made out of mild steel.
- Fully zinc metallized (as option) and painted.
- Handrails on upper platform sliding on both sides, 1100 mm high, with protective bumpers on front edges.
- Steps and upper platform covered with aluminium antiskid sheet.
- Manual hydraulic pump for adjusting of height of platform to door-sill height.
- 4 manually operated stabilizers (hydraulically operated stabilizers available see optional equipment).
- 4 wheels with steel rims and solid rubber superelastastic tyres.



Stairway width (mm)	Weight (kg)	Max. load per step (kg)	Side wind stability (knots)	Max. towing speed (km)
1200	2100	200	45	25

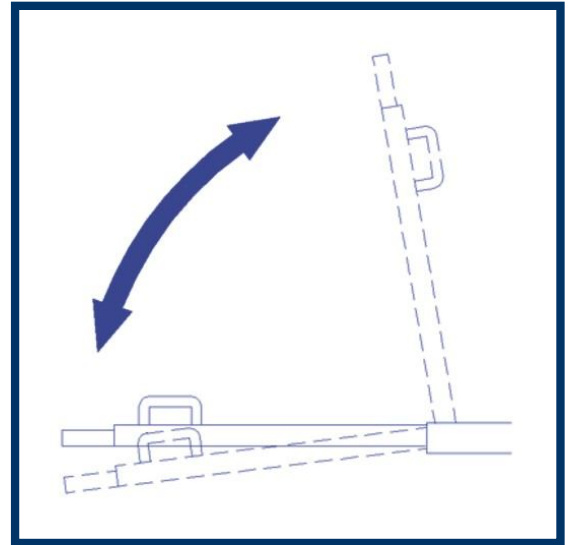


This product meets the EN 12312-1 standard in the height range 2,4 – 4,2meters

ZODIAC EQUIPMENT

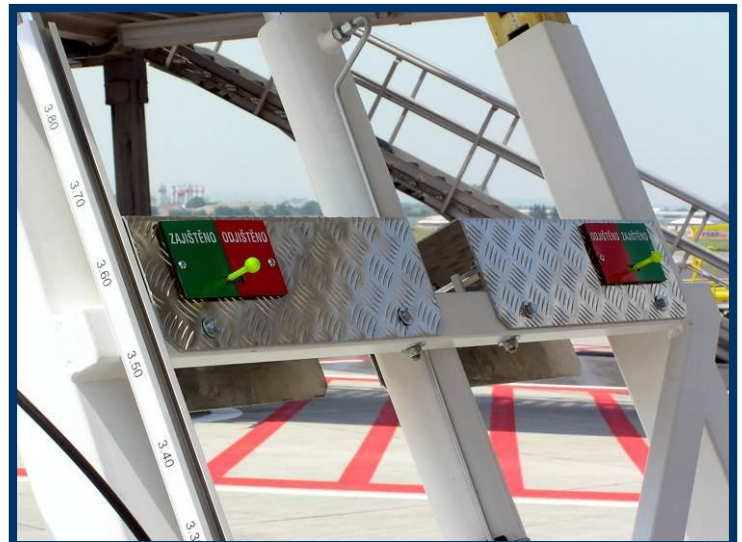
ADJUSTABLE PASSENGER STAIRS
CDS 2442

The chassis is equipped with a parking brake actuated by lifting and locking the drawbar in the upright position.



Front part of upper platform flexibly retractable 100 mm, equipped with protective bumper.

The platform is secured in the selected height with mechanical stops which automatically lock in the holes of the telescopic supports.



The height of the platform is adjustable in 80 mm intervals.

Optional equipment

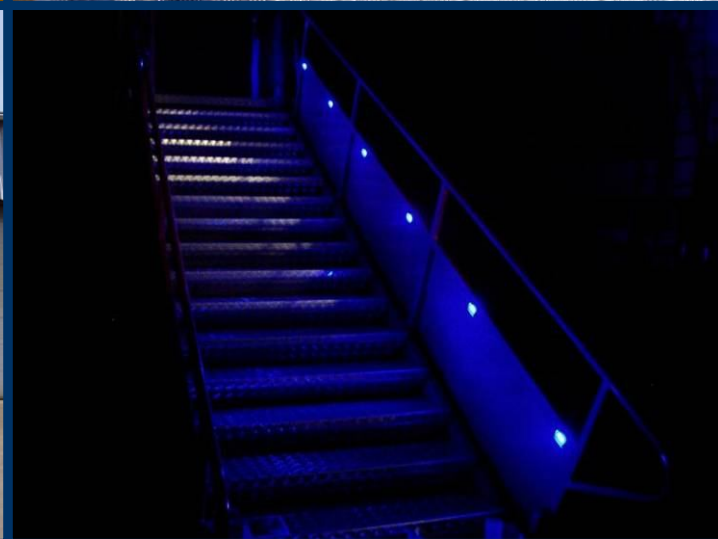
- Hydraulically operated stabilizers and lifting powered by diesel or petrol engine
- 2 speed pedestrian movement system with both rear wheels permanent drive (fast 70 m/min, slow speed can be adjusted 15 - 25m/min according to the customer demand)



ZODIAC EQUIPMENT

ADJUSTABLE PASSENGER STAIRS
CDS 2442

- Textile ribbon self-winding barrier
- Battery charger and socket for 220 V AC
- Punched steps
- Beacon
- Search light
- Colour shade to be defined as per RAL colour chart
- Illumination by LED lamps (12 V DC, battery 90 Ah)



ZODIAC EQUIPMENT

ADJUSTABLE PASSENGER STAIRS
CDS 2442

Optional versions

- Fully covered staircase
- Stairs with platform for transport of handicapped passengers
- VIP stairs made according to special customer requirements



Transport arrangement

1 piece can be transported by 1 lowdeck megatruck with cargo space 8,5 m long and 3,0 m high. The truck has to allow side-loading by means of forklift.

Table of aircrafts with door sill heights in range of stairs CDS 2442 (dimensions in metres)

CDS 2442	1,8	4,2										
A318/319/320/321	3,42	3,72										
AVRO RJ70/85/100	1,88	2,08										
B707	3,05	3,12										
B727-100	2,49	3										
B727-200	2,44	3,3										
B737-100	2,46	2,77										
B737-200	2,46	2,79										
B737-300/400/500	2,62	2,77										
B737-600	2,58	3,08										
B737-700	2,58	3,09										
B737-800	2,58	3,05										
B737-900	2,59	3,04										
B757-200	3,79	4,14										
BAC 1-11-400/500	2,03	2,24										
BAE ATP	1,77	1,93										
BAE 748	1,83											
DC8-40/50	3,2	3,96										
DC8-61	3,25	3,96										
DC8-62	3,2	4,01										
DC8-63	3,2	3,94										
DC9	2,2	2,4										
EMBRAER 170	2,3	2,67										
EMBRAER 175	2,3	2,88										
EMBRAER 190	2,53	3,15										
EMBRAER 195	2,52	3,15										
F-28 MK 1000/3000	2,12	2,36										
F-28 MK 2000/4000	2,13	2,4										
F70	2,04	2,44										
F100	2,09	2,49										
IL-18	3,07	3,32										
IL-62	3,66	3,96										
IL-62 M	3,5	3,93										
IL-114	2,15	2,58										
L188 ELECTRA	2,45	2,57										
MD80	2,2	2,8										
TU134	2,45	2,63										
TU134A	2,5	2,68										
TU154	3,59	3,77										
TU204	4,08											
YAK 40	1,74	1,95										
YAK 42	2,6	3,11										