

ZODIAC EQUIPMENT

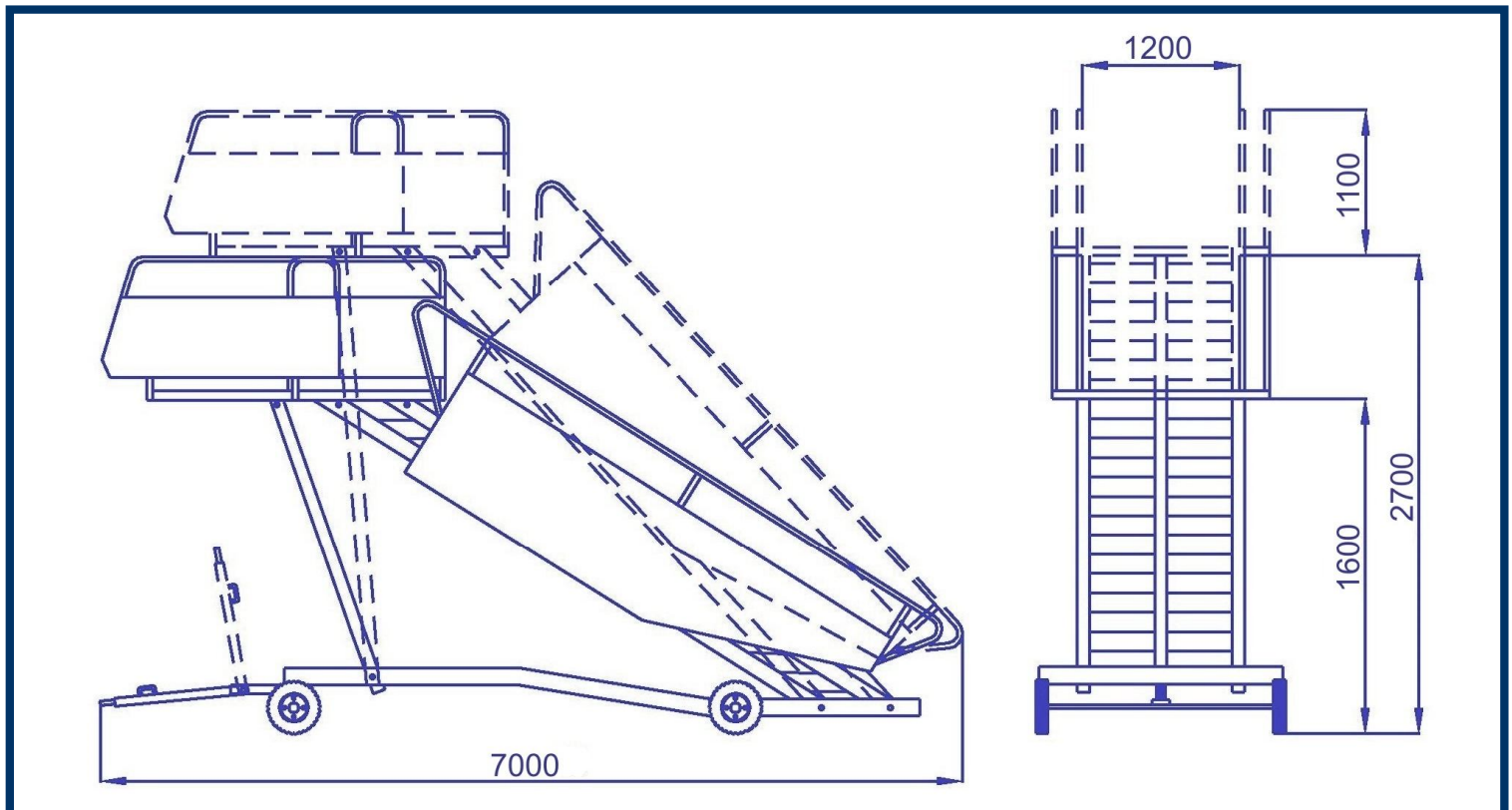
ADJUSTABLE PASSENGER STAIRS
CDS 1627

Stairs are suitable for servicing all aircrafts with door sill heights from 1,6 up to 2,7 m. Welded construction composed of heavy duty metal parts.

- Handrails made out of mild steel.
- Fully zinc metallized (as option) and painted.
- Handrails on upper platform sliding on both sides, 1100 mm high, with protective bumpers on front edges.
- Steps and upper platform covered with aluminium antiskid sheet.
- Manual hydraulic pump for adjusting of height of platform to door-sill height.
- 2 manually operated stabilizers (hydraulically operated stabilizers available, see optional equipment).
- 4 wheels with steel rims and solid rubber superelastic tyres.

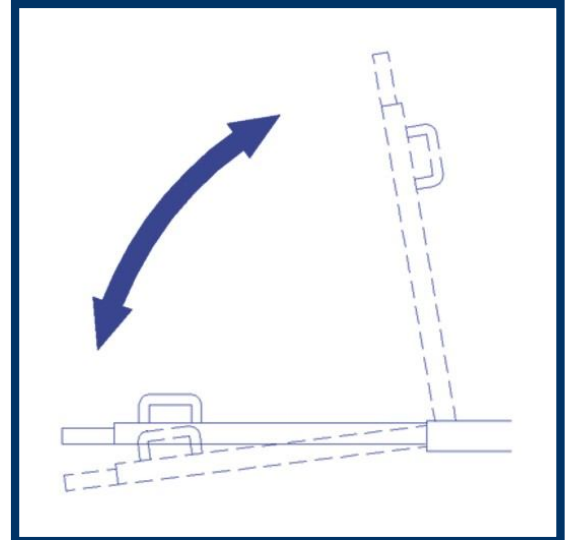


Stairway width (mm)	Weight (kg)	Max. load per step (kg)	Side wind stability (knots)	Max. towing speed (km/h)
1200	1350	200	45	25



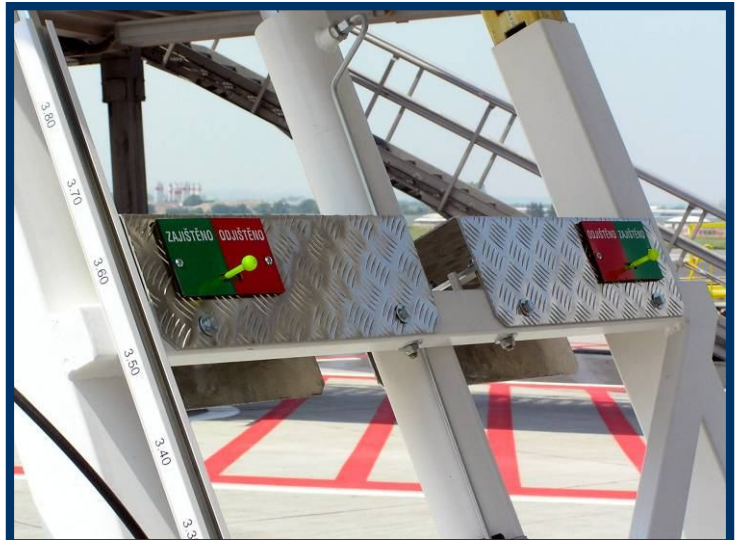
This product meets the EN 12312-1 standard

The chassis is equipped with a parking brake actuated by lifting and locking the drawbar in the upright position.



Front part of upper platform flexibly retractable 100 mm, equipped with protective bumper.

The platform is secured in the selected height with mechanical stops which automatically lock in the holes of the telescopic supports.



The height of the platform is adjustable in 80 mm intervals.

Optional equipment

- 4 stabilizers
- Hydraulically operated stabilizers and lifting powered by diesel or petrol engine
- 2 speed pedestrian movement system with both rear wheels permanent drive (fast 70 m/min, slow speed can be adjusted 15 - 25m/min according to the customer demand)



ZODIAC EQUIPMENT

ADJUSTABLE PASSENGER STAIRS
CDS 1627

- Textile ribbon self-winding barrier
- Battery charger and socket for 220 V AC
- Punched steps
- Beacon
- Search light
- Colour shade to be defined as per RAL colour chart
- Illumination by LED lamps (12 V DC, battery 90 Ah)



Optional versions

- Fully covered staircase
- Stairs with platform for transport of handicapped passengers
- VIP stairs made according to special customer requirements



Transport arrangement

3 pieces can be transported on 1 lowdeck megatruck with cargo space 3,0 m high. The truck has to allow side-loading by means of forklift (if only 1 piece is transported, abt. 7 m of truck cargo space length is needed).

**Table of aircrafts with door sill heights in range of stairs CDS 1627
(dimensions in metres)**

CDS 1627	1,6	2,7	[Grid visualization of door sill heights]									
AVRO RJ70/85/100	1,88	2,08	[Grid visualization]									
BAC 1-11-400/500	2,03	2,24	[Grid visualization]									
BAE ATP	1,77	1,93	[Grid visualization]									
BAE 748	1,83		[Grid visualization]									
DC9	2,2	2,4	[Grid visualization]									
EMBRAER 170	2,3	2,67	[Grid visualization]									
F-28 MK 1000/3000	2,12	2,36	[Grid visualization]									
F-28 MK 2000/4000	2,13	2,4	[Grid visualization]									
F70	2,04	2,44	[Grid visualization]									
F100	2,09	2,49	[Grid visualization]									
IL-114	2,15	2,58	[Grid visualization]									
L188 ELECTRA	2,45	2,57	[Grid visualization]									
MD80	2,2	2,8	[Grid visualization]									
TU134	2,45	2,63	[Grid visualization]									
TU134A	2,5	2,68	[Grid visualization]									
YAK 40	1,74	1,95	[Grid visualization]									