

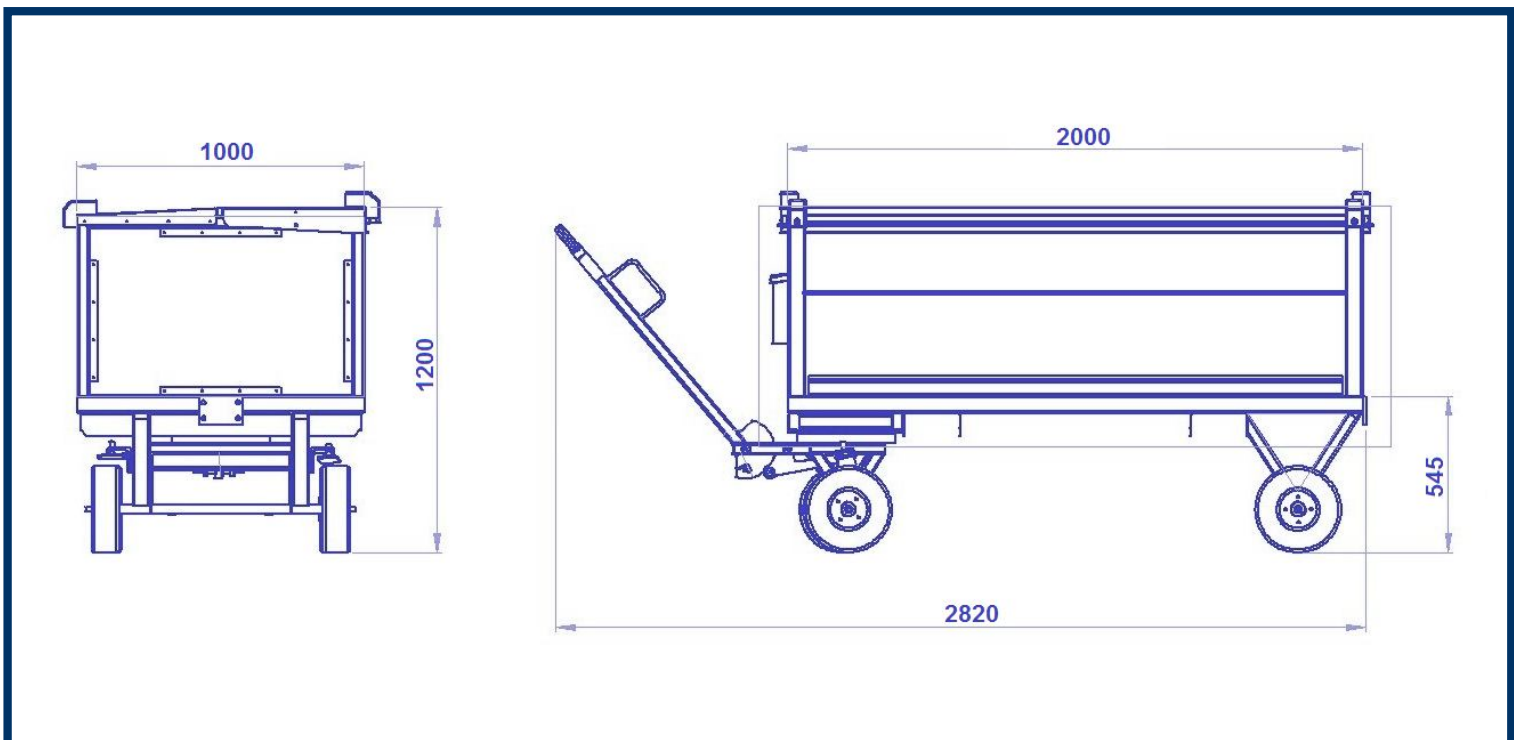
This trolley has been modified for transport of waste from aircrafts. The trolley offers a long-lasting reliability, easy operation and low maintenance costs.

- Chassis made out of welded steel profiles.
- Loading platform made out of 2 aluminium anti-skid sheets, V shaped, with gap in centre and drain valve for easy cleaning.
- Fully hot-dip zinc-metallized, or painted.
- The drawbar has an eye 40 mm in diameter, and the rear hand operated hitch 30 mm in diameter.
- Front axle steered by turntable steering, rear axle fixed.



Loading platform size (mm)	Payload (kg)	Weight (kg)	Max. towing speed (km)
1000 x 2000	500	285	25

Platform size and its payload can be modified according to customer requirements



This product meets the EN 12312-11 standard

ZODIAC EQUIPMENT

CART FOR TRANSPORT OF WASTE
BDK 1020-W

The chassis is equipped with a parking brake actuated by lifting and locking the drawbar in the upright position.



Manual self-locking E-type spring-loaded tow-hitch.



Automatic tow-hitch available.





Loading platform made out of two V shaped aluminium anti-skid sheets,

Gap in centre and valve at the rear of chassis for easy cleaning.



Optional versions and equipment

- White painting as a standard, other colours on demand
- Compartment for storing of labels



Transport arrangement

Up to 20 pieces can be transported by one low deck semitrailer truck.