

# ZODIAC EQUIPMENT

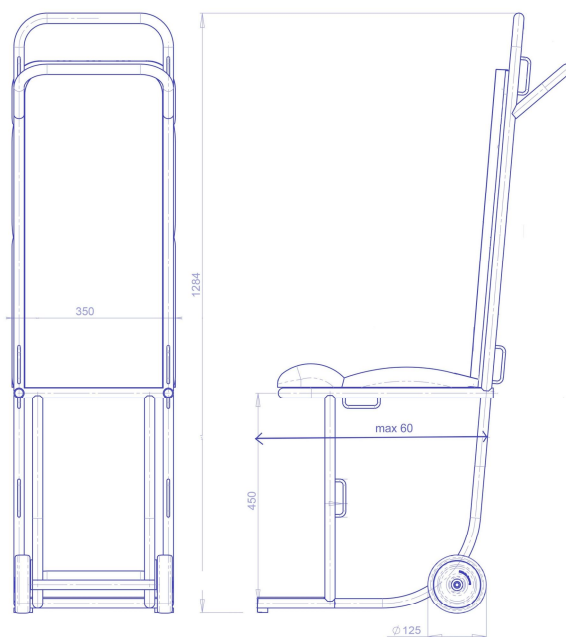
## AIRCRAFT ON BOARD WHEELCHAIR AIRCHAIR

This wheelchair has been designed in close co-operation with local handling companies and airlines. It offers a long-lasting reliability and easy operation. The structure is made of aluminum profiles. Our Airchair is an on board aircraft wheelchair designed to transfer passengers, unable to walk, to their seats in an aircraft. Some corridors inside aircraft are as small as 350mm wide and conventional wheelchairs are too wide to pass through. Therefore passengers arriving to the aircraft in a conventional wheelchair are transferred by the Airchair for the short distance to their seat.



Seat size (mm)	Max. seat load (kg)	Weight (kg)
400x320	200	14

Modifications can be made according to customer requirements

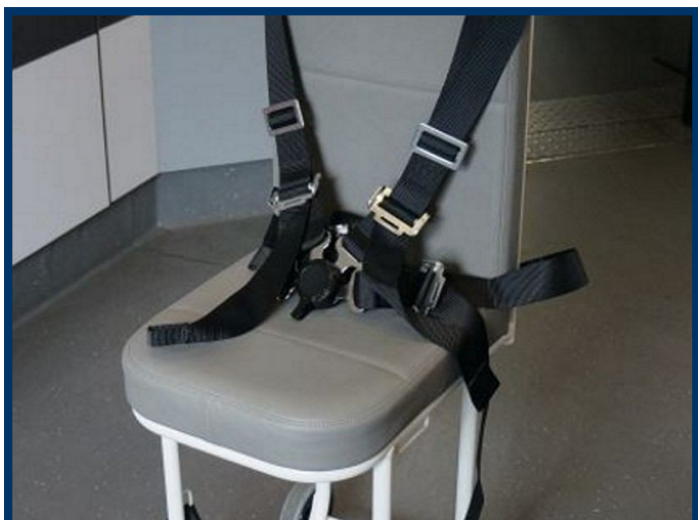


This product meets the EN 12312-14+A1 standard

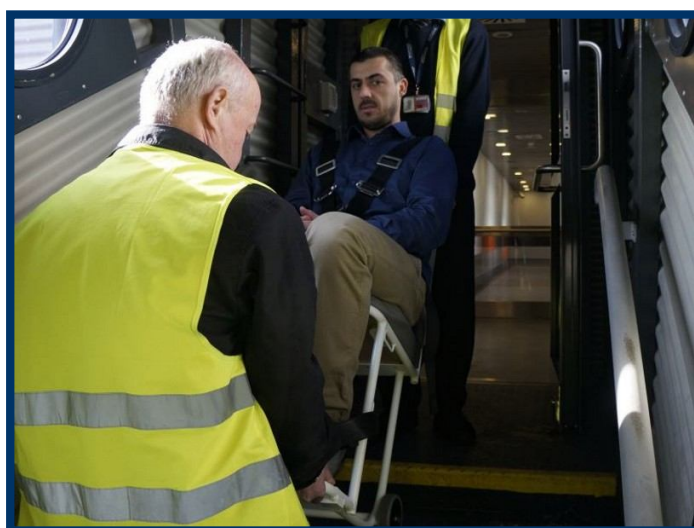
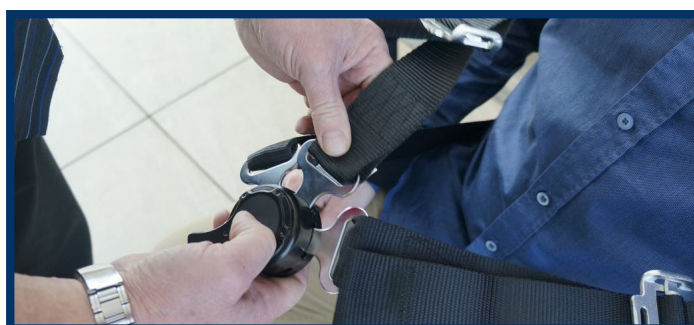
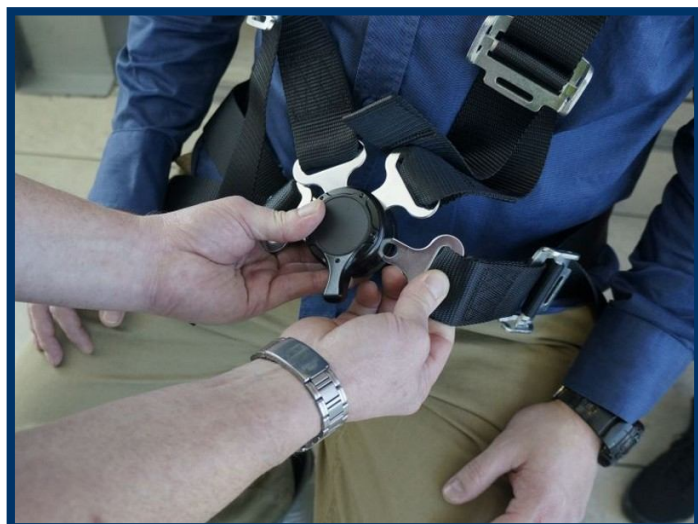
# ZODIAC EQUIPMENT

## AIRCRAFT ON BOARD WHEELCHAIR AIRCHAIR

Footplate is covered with non-slip finish.



Seat and backrest are upholstered. The chair is equipped with a 4 points safety belt.



The airchair is designed for easy manipulation in limited space inside of aircrafts.